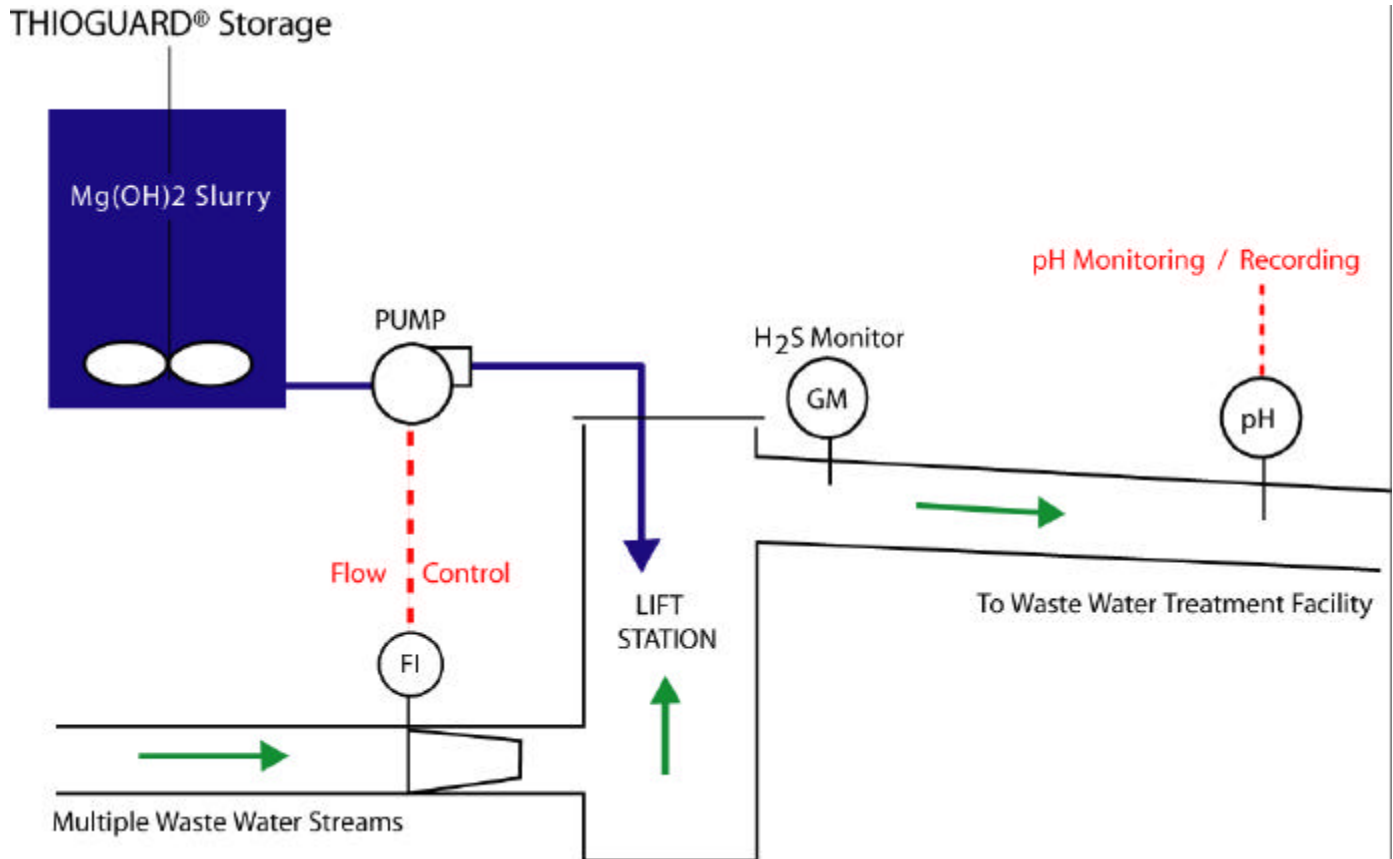


THIOGUARD®

Treatment Arrangement



NOTICE: THE INFORMATION CONTAINED HEREIN IS, TO THE BEST OF OUR KNOWLEDGE AND BELIEF, ACCURATE. ANY RECOMMENDATIONS OR SUGGESTIONS MADE ARE WITHOUT WARRANTY OR GUARANTEE OF RESULTS SINCE CONDITIONS OF HANDLING AND OF USE ARE BEYOND OUR CONTROL; WE THEREFORE, ASSUME NO LIABILITY FOR LOSS OR DAMAGE INCURRED BY FOLLOWING THESE SUGGESTIONS. SELLER WARRANTS ONLY THAT THIS PRODUCT WILL MEET THE SPECIFICATIONS SET FORTH. ANY OTHER REPRESENTATION OR WARRANTY, EITHER EXPRESS OR IMPLIED, IS SPECIFICALLY DISCLAIMED INCLUDING **WARRANTIES OF FITNESS FOR A PARTICULAR PURPOSE AND OF MERCHANTABILITY**. SELLERS AND MANUFACTURERS ONLY OBLIGATION SHALL BE TO REPLACE SUCH QUANTITY OF THE PRODUCT PROVED TO BE DEFECTIVE. BEFORE USING, USER SHALL DETERMINE THE SUITABILITY OF THE PRODUCT FOR USERS INTENDED APPLICATION AND USER ASSUMES ALL RISK AND LIABILITY WHATSOEVER IN CONNECTION THEREWITH. NEITHER SELLER NOR MANUFACTURER SHALL BE LIABLE IN TORT, CONTRACT OR UNDER ANY THEORY FOR ANY LOSS OR DAMAGE, INCIDENTAL OR CONSEQUENTIAL, ARISING OUT OF THE USE OF OR THE INABILITY TO USE THE PRODUCT.

Martin Marietta Magnesia Specialties LLC

8140 Corporate Drive, Suite 220

Nottingham, MD 21236

Phone: 800-648-7400 or 410-780-5500 FAX: 410-780-5777

www.magnesiaspecialties.com

e-mail: Magchem@martinmarietta.com

01/05

Martin Marietta Magnesia Specialties

THIOGUARD is licensed by Premier Chemicals, LLC, under U.S. Patent 5,833,864, 5,718,944, 5,834,075, 6,056,997.

Copyright © 2005 by Martin Marietta Magnesia Specialties LLC